



## Installation Instructions

### Renaissance Wall Oven

Models:

EOR, MOR

GOEDEKERS  
Trusted since 1951

GOEDEKER'S  
Trusted since 1951

**All specifications are subject to change without notice. Dacor® assumes no liability for changes to specifications.**

# Table of Contents

<b>Before You Begin...</b> .....	1	<b>Installation Specifications</b> .....	6
<b>Important Safety Instructions</b> .....	1	Installation Planning .....	6
Important Information About Safety Instructions .....	1	<b>Installation Instructions</b> .....	8
Safety Symbols and Labels .....	1	Verify the Package Contents.....	8
General Safety Precautions .....	2	Remove the oven door(s) .....	8
<b>Customer Service Information</b> .....	3	Electrical Connection .....	9
If You Need Help.....	3	Installing the Oven in the Cabinet.....	12
Appliance Data Plate .....	3	Installing the Exhaust Grill .....	13
Model Identification .....	3	Reinstalling the Oven Doors .....	13
<b>Product Specifications</b> .....	4	Verifying Proper Operation.....	14
Power Supply Requirements .....	4	Installation Checklist .....	15
Product Dimensions .....	4		

## Before You Begin...

Important:

- **Installer:** In the interest of safety and to minimize problems, read these installation instructions completely and carefully before you begin the installation process. Leave these installation instructions with the customer.
- **Customer:** Keep these installation instructions for future reference and the local electrical inspector's use.

## Important Safety Instructions

### Important Information About Safety Instructions

- The **Important Safety Instructions** and warnings in these instructions are not meant to cover all possible problems and conditions that can occur. Use common sense and caution when installing, maintaining or operating this or any other appliance.
- Always contact the Dacor Customer Service Team about problems and conditions that you don't understand. See **Customer Service Information**.

### Safety Symbols and Labels

#### **DANGER**

Immediate hazards that **WILL** result in severe personal injury or death.

#### **WARNING**

Hazards or unsafe practices that **COULD** result in severe personal injury or death.

#### **CAUTION**

Hazards or unsafe practices that **COULD** result in minor personal injury or property damage.

**READ AND SAVE  
THESE INSTRUCTIONS**

#### **DANGER**

**IMPORTANT:** Do not store or use combustible, flammable, or explosive vapors and liquids (such as gasoline) inside or in the vicinity of this or any other appliance. Also keep items that could explode, such as aerosol cans, away from the oven. Do not store flammable or explosive materials in adjacent cabinets or areas.

#### **WARNING**

**WARNING – NEVER** use this appliance as a space heater to heat or warm the room. Doing so may result in carbon monoxide poisoning and overheating of the appliance.

#### **WARNING**

**WARNING – NEVER** cover any slots, holes or passages in the oven bottom or cover an entire rack with materials such as aluminum foil. Doing so blocks air flow through the oven and may cause a fire hazard or carbon monoxide poisoning.

#### **WARNING**

Do not install this appliance outdoors and/or near water, for example, near a pool.

#### **WARNING**

When using the **BROIL** and **CONVECTION BROIL** settings, the oven door must be completely shut.

# Important Safety Instructions

## General Safety Precautions

To reduce the risk of fire, electric shock, serious injury or death when using your appliance, follow basic safety precautions, including the following:

### WARNING

1. Read the accompanying use and care manual before operating this appliance.
2. Keep packaging materials away from children. Plastic sheets and bags can cause suffocation.
3. If you receive a damaged product, immediately contact your dealer or builder. Do not install or use a damaged appliance. Do not install or use the appliance if the conduit is damaged.
4. This oven must be properly installed and grounded by a qualified installer according to these installation instructions prior to use. The installer must show the customer the location of the circuit breaker panel or fuse box so that they know where and how to turn off electric power to the oven. Dacor is not responsible for service required to correct a faulty installation. The owner is responsible to make sure this appliance is properly installed.
5. Do not use the door handle(s) to lift or move the oven.
6. A minimum of two people are required to safely install this appliance.
7. To avoid an electric shock hazard, do not install this appliance outside or near water. Do not install or use this appliance if it has been exposed to water.
8. Do not install, repair or replace any part of the oven unless specifically recommended in the literature accompanying it. A qualified service technician should perform all other service.
9. Before performing any type of service or installation, make sure that the electric power to the oven is turned off at the circuit breaker or fuse box.
10. Only use the oven for cooking tasks expected of a home appliance as outlined in the literature accompanying it. This oven is not intended for commercial use.
11. Do not climb on any part of the appliance.
12. Do not leave children alone or unattended in the area around the oven. Do not allow children to play with the controls, pull on the handle or touch other parts of the oven.
13. Do not store items of interest to children above the oven. Children could be burned or injured while climbing on the appliance.
14. Do not tamper with the controls. Do not adjust or alter any part of the oven unless specifically instructed to do so in this manual.

### WARNING

15. To prevent injury due to the unit from tipping forward, secure the oven to the cabinet using the supplied mounting screws.
16. Keep flammable items, such as paper, cardboard, plastic and cloth away from hot surfaces. Do not put such items in the oven. Do not allow pot holders to touch hot surfaces.
17. Do not wear loose or hanging apparel while using the oven. Do not allow clothing to come into contact with the interior of the oven and the surrounding areas during and immediately after use.
18. Do not use the oven for storage.
19. Do not touch the interior surfaces of the oven during use. After use, make sure these surfaces have had sufficient time to cool before touching them.
20. Do not touch the outside surfaces of the oven during the self-clean cycle. They will be hot. Venting from the oven may cause the trim to become hot.
21. For your safety, do not use the oven to cook without the convection filter installed. When the filter is not installed, the spinning fan blades at the back of the oven are exposed.
22. Non-stick coatings, when heated, can be harmful to birds. Remove birds to a separate, well-ventilated room during cooking.
23. To prevent damage, remove the meat probe from the oven when it is not being used.
24. Do not line the oven with aluminum foil or other materials. These items can melt or burn up during self-cleaning and cause permanent damage to the oven.
25. Do not leave metal objects, such as aluminum foil, the meat probe, cookie sheets, etc. on the bottom of the oven. Objects left on the bottom of the oven could damage the bake element. In addition, the objects themselves could be damaged.
26. Do not allow heating elements in the top and bottom of the oven chamber to become covered up by cookie sheets, aluminum foil, pots, pans, etc. Covering the heating elements could cause them to over-heat, damaging the oven. On some models the heating elements are behind glass panels.
27. Always ensure that the light fixture lens covers are in place when using the oven. The lens covers protect the light bulbs from breakage caused by high oven temperatures or mechanical shock.

# Customer Service Information

## If You Need Help...

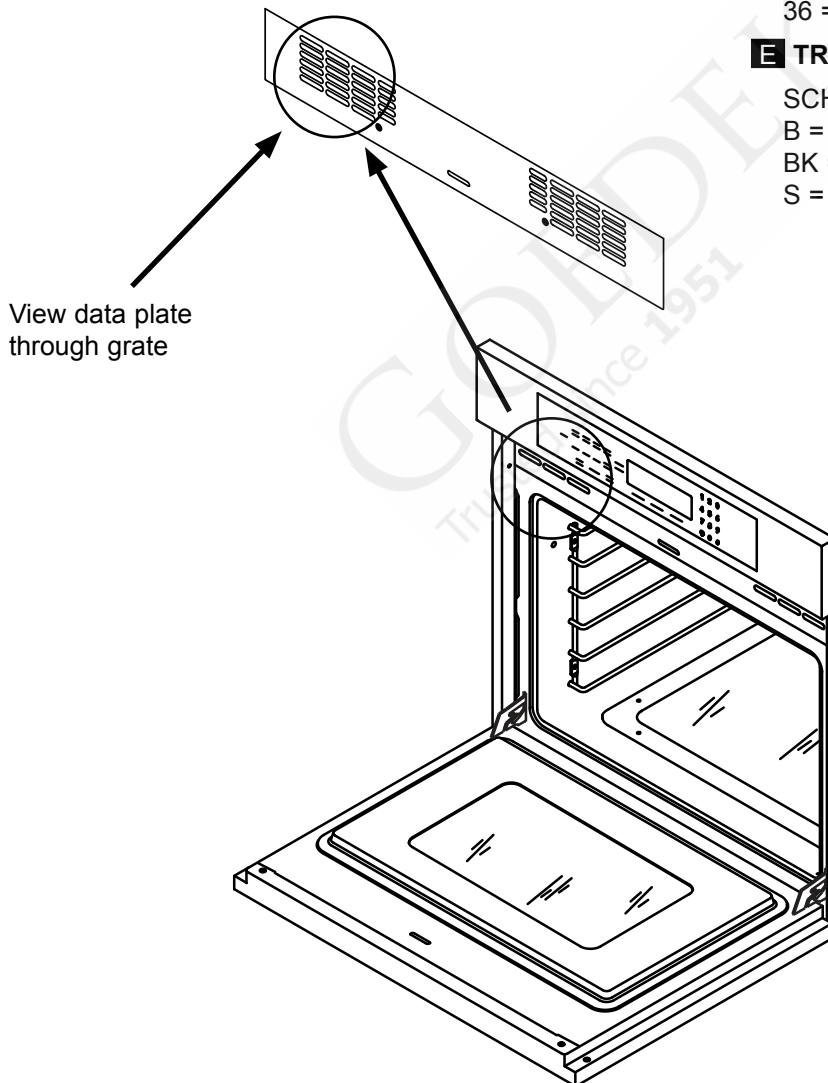
- If you have questions or problems with installation, contact your Dacor dealer or the Dacor Customer Service Team. When you call, have the model and serial number of the appliance ready. The model and serial number are printed on the appliance data plate.

### Dacor Customer Service Team

Phone: (800) 793-0093  
E-mail: customerservice@Dacor.com  
Web site: www.Dacor.com

## Appliance Data Plate

- The appliance data plate contains the model and serial number information and the electrical and gas supply requirements.
- It can be seen through the grill located below the control panel. Open the door to expose the grill. On double ovens, the plate is located behind the top grill.



## Model Identification

**EORS227SCH**

↑   ↑   ↑   ↑   ↑  
A   B C D   E

### **A** MODEL:

EOR = Epicure Renaissance  
MOR = Millennia Renaissance

### **B** NUMBER OF CONVECTION OVENS:

S = Single  
D = Double

### **C** NUMBER OF OVENS:

1 = Single  
2 = Double

### **D** WIDTH:

27 = 27 Inch  
30 = 30 Inch  
36 = 36 Inch

### **E** TRIM:

SCH = Stainless Steel with Chrome Trim  
B = Black Handle, Black Trim  
BK = Black Handle, Stainless Trim  
S = Stainless Handle (Millennia Style)

# Product Specifications

## Power Supply Requirements

- It is the owner's responsibility to ensure that a licensed electrician performs the installation of the electrical supply for this appliance. The electrical installation, including minimum supply wire size, must comply with the National Electric Code ANSI/NFPA 70 (latest revision) and local codes and ordinances.

**A copy of this standard may be obtained from:**

National Fire Protection Association  
1 Batterymarch Park  
Quincy, Massachusetts 02269-9101

- The correct voltage, frequency and amperage must be supplied to the appliance from a dedicated, grounded, single phase circuit that is protected by a properly sized circuit breaker or time-delay fuse. If a time-delay fuse is utilized, fuse both sides of the line (L1 and L2).
- The required voltage, frequency and amperage ratings are listed on the appliance data plate (see page 3) and in the table for reference.
- Preheat times and cavity temperature recovery times will be increased slightly if operating the unit with less than a 240 Vac circuit.
- This appliance is provided with electrical wiring in a flexible metal conduit.

Model Number	Dedicated Circuit Requirements*	Total Connected Load
EORS127	240 Vac 60 Hz, 30 Amp.	5.0 kW (21 Amp.)
MORS127		
EORS130		
MORS130		
EORS136		5.3 kW (22 Amp.)
EORS227	240 Vac 60 Hz, 40 Amp.	7.8 kW (33 Amp.)
MORS227		
EORS230		
MORS230		
EORD227	240 Vac 60 Hz, 50 Amp.	10.0 kW (42 Amp.)
MORD227		
EORD230		
MORD230		

\* The above specifications are for reference only. See the appliance data plate (page 3) for exact specifications.

## Product Dimensions

All tolerances: +1/16 (1.6 mm). -0, unless otherwise stated.

Model Number	Overall Width (A)	Chassis Width (B)*	Overall Height (C)	Chassis Height (D)**	Control Panel Overlay (E)
EORS127/ MORS127	26 7/8" (68.3 cm)	25 3/8" (64.5 cm)	28 7/16" (72.2 cm)	27 1/2" (69.9 cm)	15/16" (23.8 cm)
EORS130/ MORS130	29 7/8" (75.9 cm)	28 3/8" (72.1 cm)			
EORS136	35 7/8" (91.1 cm)	34 3/8" (87.3 cm)	28 5/8" (72.7 cm)	27 5/8" (70.2 cm)	1" (2.5 cm)
EORX227/ MORX227	26 7/8" (68.3 cm)	25 3/8" (64.5 cm)	49 15/16" (127.0 cm)	49 1/16" (124.6 cm)	7/8" (2.2 cm)
EORX230/ MORX230	29 7/8" (75.9 cm)	28 3/8" (72.1 cm)			

X = Number of convection ovens, see page 3

\* Width at light covers on sides

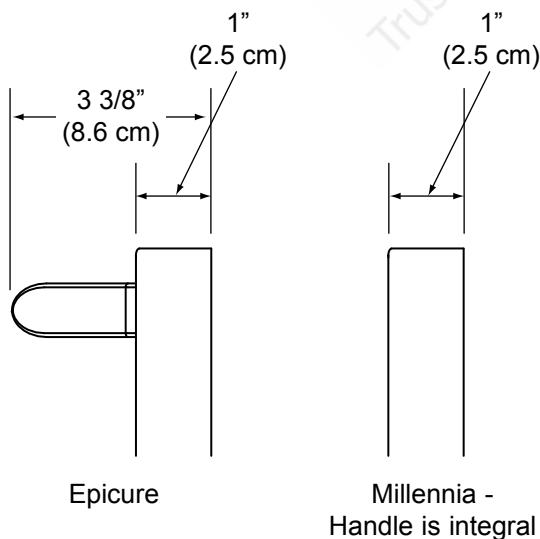
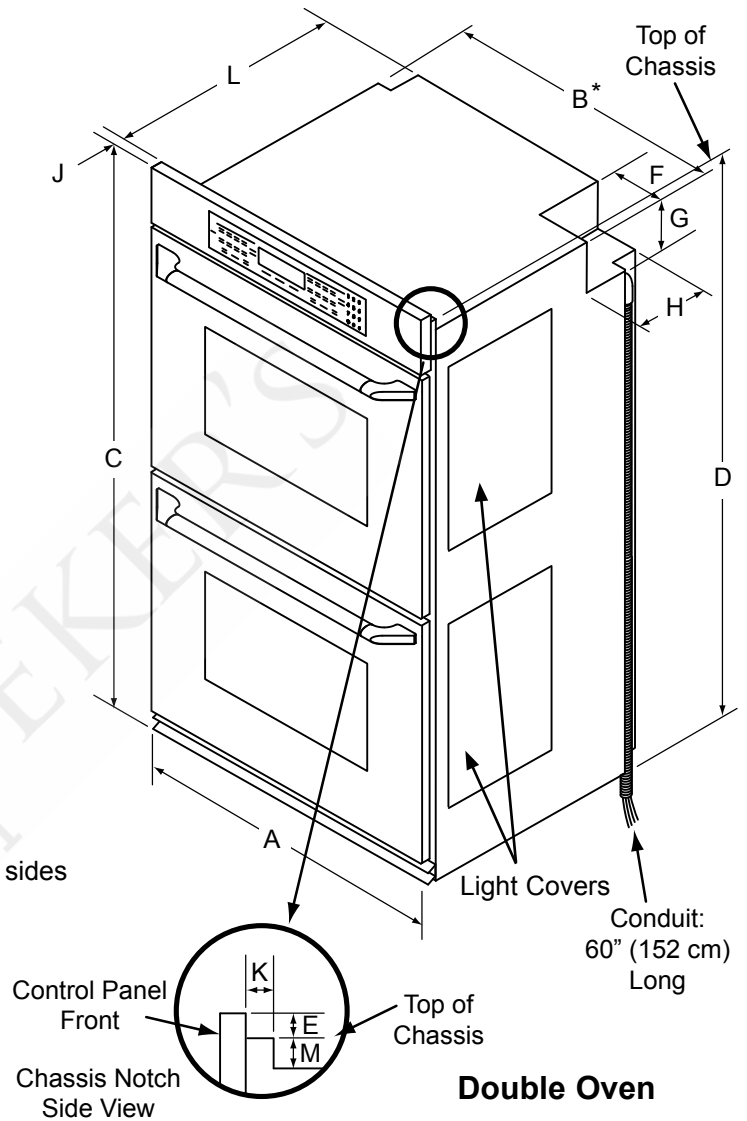
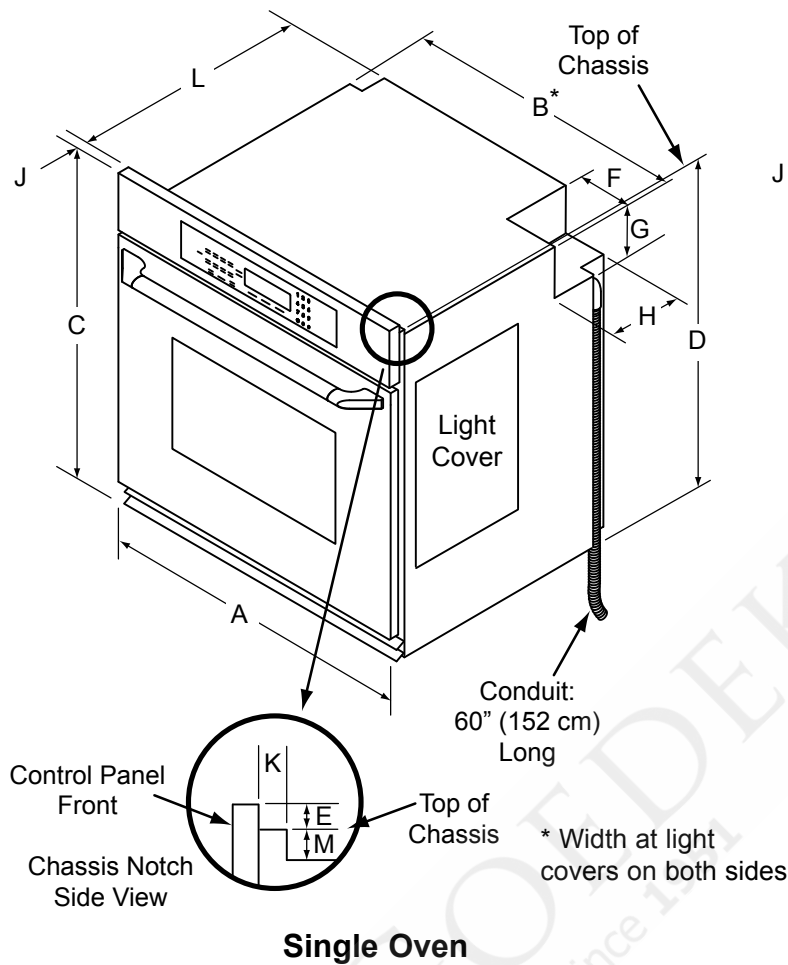
\*\* To top of chassis notch behind control panel

	Utility Cutout Width (F)	Utility Cutout Height (G)	Utility Cutout Depth (H)	Control Panel Depth (J)	Notch Depth (K)	Chassis Depth (L)	Notch Height (M)
All Models	5" (12.7 cm)	5 1/4" (13.3 cm)	6" (15.2 cm)	1" (2.54 cm)	1 1/8" (2.9 cm)	24" (61.0 cm)	1" (2.5 cm)

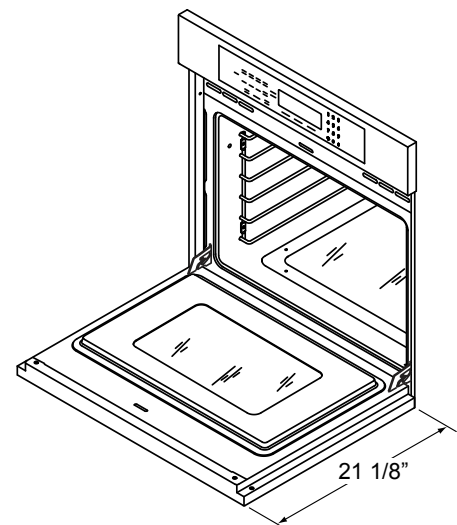
# Design Specifications

## Product Dimensions

All tolerances: +1/16 (1.6 mm). -0, unless otherwise stated.



**Handle Dimensions**



# Installation Specifications

## Installation Planning

### WARNING

Observe all governing codes and ordinances during planning and installation. Contact your local building department for further information.

### IMPORTANT

- Locate the junction box so that the oven may be easily disconnected in the event that it needs to be removed from the wall completely for service.
- If the oven is not installed level it may deliver poor or inconsistent baking results.

- A qualified technician must complete the installation of this built-in appliance. Proper installation is the responsibility of the customer.
- Carefully check the location where the oven is to be installed. The oven should be placed for convenient access. Make certain that electrical power, meeting the specifications on page 4, can be provided in the selected location.

- Dacor recommends installing the electrical junction box in the one of the locations shown.
- Install the junction box in a location that allows the oven to be removed from the the cut out for service without being disconnected.
- Plan the installation so that all minimum clearances are met or exceeded. Dimensions shown provide minimum clearances, unless otherwise noted. Be certain that proper clearance is provided for the oven door when it is in the open position according the **Product Dimensions**.
- Cabinet cutout dimensions must be used as indicated. The specified minimum cabinet depth and width must be provided. The cabinet depth and width must completely enclose the recessed portion of the oven.
- All contact surfaces between the appliance and the cabinet must be solid and level.
- Provide a platform within the cabinet to support the oven. It must be installed level and straight. The top edge of the platform must be flush with the cut out at the front of the cabinet. There are no provisions to level the oven after it has been installed. 3/4" (1.9 cm) thick plywood is recommended.

## Cabinet Dimensions

Model Number	Minimum Cabinet Width (N)	Minimum Cut Out Width (P)	Minimum Cut out Height (R)
EORS127/ MORS127	27" (68.6 cm)	25 ½" (64.8 cm)	27 5/8" (70.2 cm)
EORS130/ MOCS130	30" (76.2 cm)	28 ½" (72.4 cm))	
EORS136	36" (91.4 cm)	34 ½" (87.6 cm)	27 ¾" (70.5 cm)
EORX227/ MORX227	27" (68.6 cm)	25 ½" (64.8 cm)	49 1/8" (124.8 cm)
EORX230/ MORX230	30" (76.2 cm)	28 ½" (72.4 cm)	

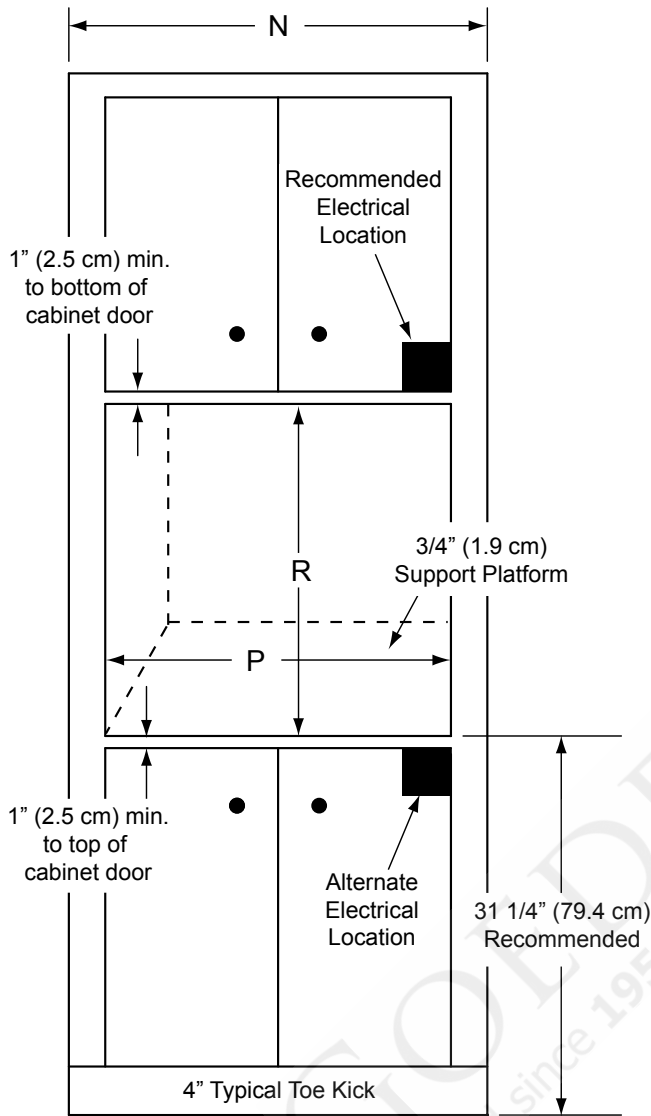
X = Number of convection ovens, see page 3

Minimum Interior Cabinet Depth: 24" (61.0 cm)

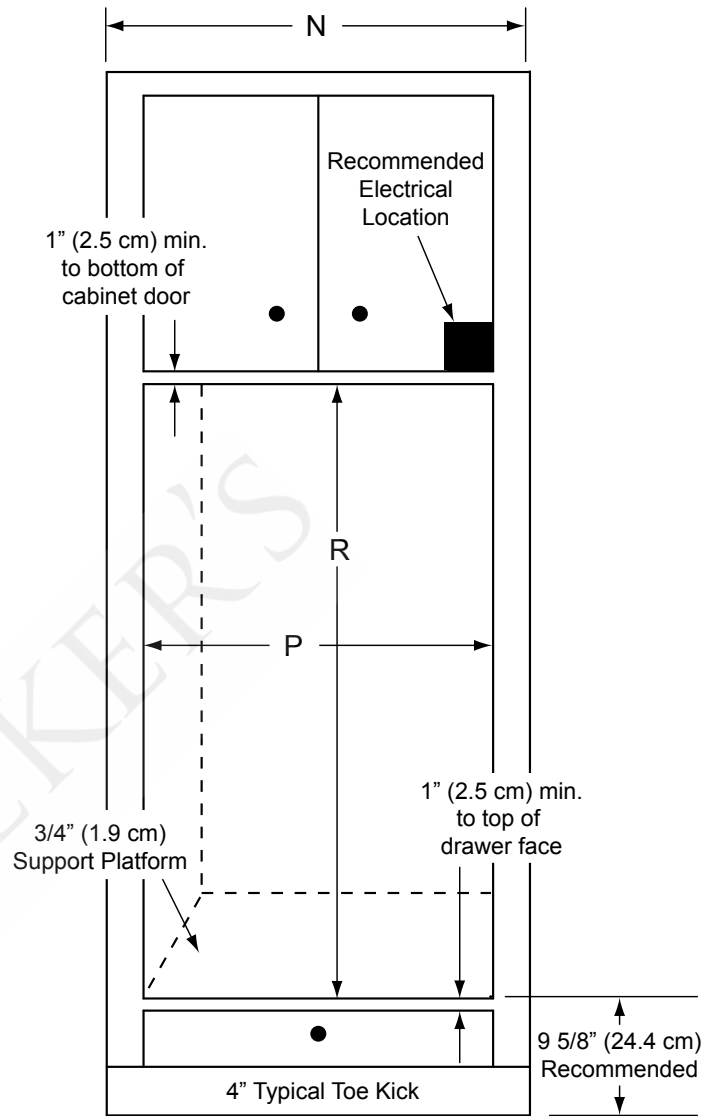


# Installation Specifications

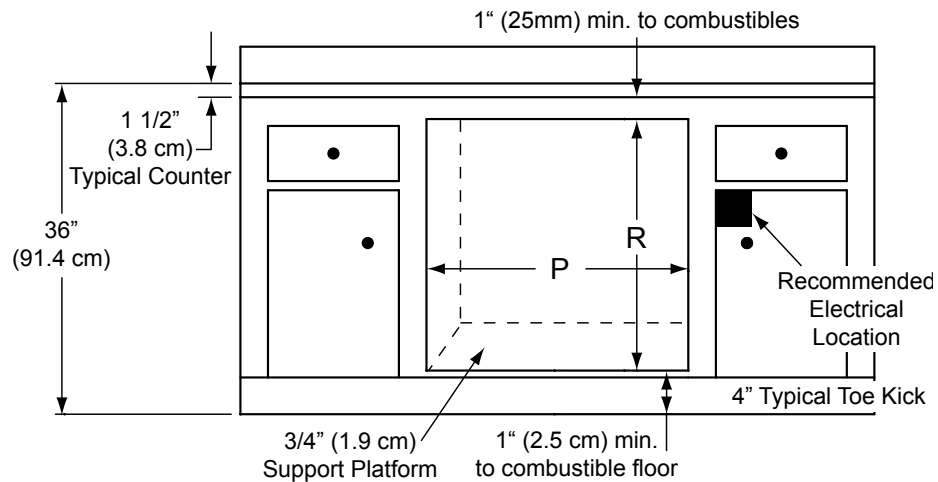
## Cabinet Dimensions



**Single Wall Oven - Cut Out Dimensions**



**Double Wall Oven - Cut Out Dimensions**



**Single Wall Oven - Installed Under Counter**

# Installation Instructions

## Verify the Package Contents

Verify that all the components below have been provided. If any item is missing or damaged, please contact your dealer immediately. Do not install a damaged or incomplete appliance. Make sure that you have everything necessary to ensure proper installation before proceeding.

- Use and care manual
- Mounting screws (Wood, #6 X 3/4, Dacor PN 83331, 4 for single ovens, 6 for double ovens)
- Standard oven racks (single ovens come with 2, double ovens come with either 4 or 5)
- GlideRack™ oven rack (1)
- Broil grill and pan
- Exhaust grill with 2 mounting screws (2, #8 X 3/8", color should match exhaust grill: Silver Dacor PN 83571, Black Dacor PN 83263)
- Light Lens Pry Stick
- Dacor Stainless Steel Cleaner (stainless steel models only)
- Meat probe

## Remove the oven door(s)

Remove the door(s) to reduce weight and make the oven easier to lift:

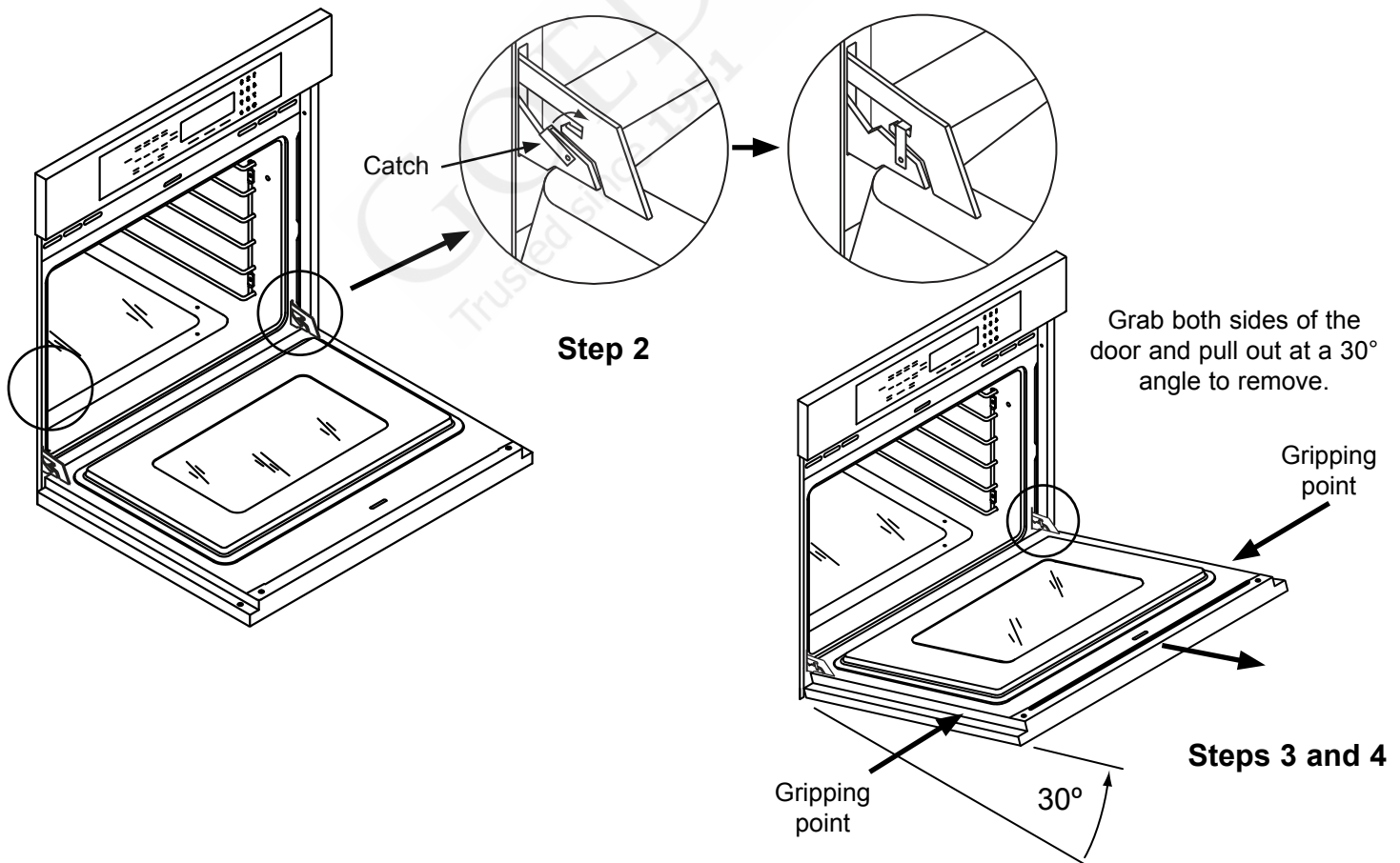
### WARNING

- Do not attempt to disengage the hinge catches with the door removed from the oven. The hinge springs could release, causing personal injury.
- Do not lift or carry oven door by the door handle.
- On double ovens, remove the bottom door first to reduce the chance of damage.

### Removing the Oven Door(s): All Models Except EORS136

See facing page for removing door from model EORS136.

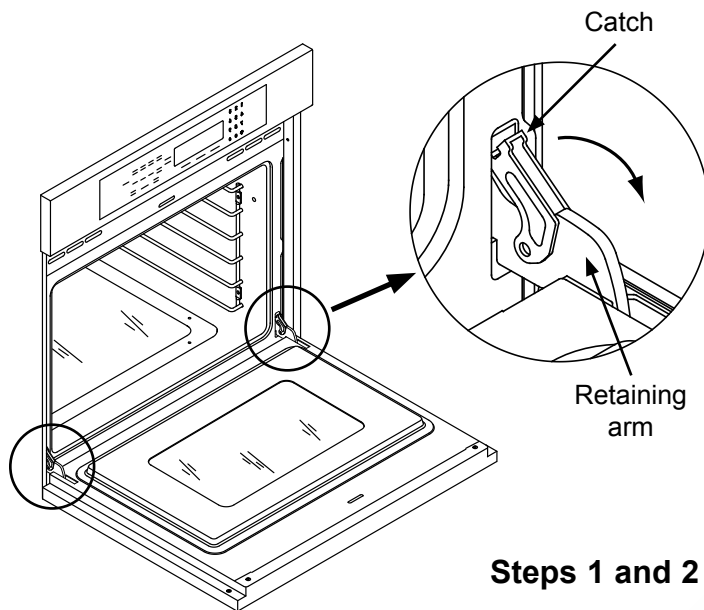
1. Open the door to its fully opened position.
2. Rotate the catch over the retaining arm on both hinges.
3. Lift the oven door to about a 30° angle from the horizontal.
4. Pull the door away from the oven while continuing to lift.



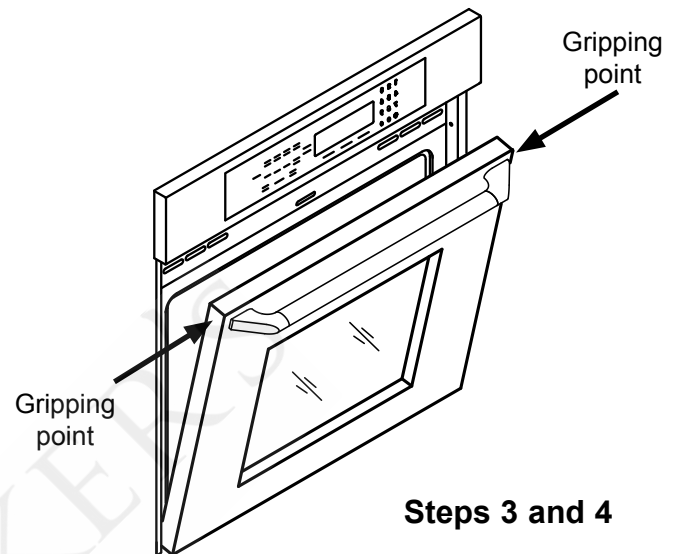
# Installation Instructions

## Removing the Oven Door on Model EORS136:

1. Open the door to its fully opened position.
2. Rotate the catch over the retaining arm on each hinge.



3. Lift the oven door to about a 15° angle from the vertical position.
4. Hold the door with both hands just below the handle and pull it away from the oven while continuing to lift.



## Electrical Connection

### **WARNING**

- If the electrical service provided does not meet the **Product Specifications** (see page 4), do not proceed with the installation. Call a licensed electrician to correctly install the required wiring.
- Failure to disconnect power prior to installation may result in an electrical shock or fire hazard.
- Do not turn on power to the appliance until the oven is properly grounded according to these instructions.
- The installer must connect the ground terminal (or lead) on the appliance to a grounded, metallic, permanent wiring system or grounding conductor. Failure to do so may result in an electric shock hazard.
- Do not use an extension cord with this appliance. Such use may result in fire, electric shock or personal injury.
- Do not install a fuse in the neutral or ground circuit. A fuse in the neutral or ground circuit may result in an electric shock hazard.
- The appliance must be connected to the power supply with copper wire only. The use of aluminum wire may result in unsatisfactory conditions.

### **IMPORTANT**

Provide slack in the conduit to allow the oven to slide forward for servicing.

### **NOTE**

The electrical connection leads from the supplied appliance conduit may be a smaller gage than the standard household wiring of the dedicated supply circuit. They are suitable for connection to household wiring under the jurisdiction of the National Electric Code, and/or the local inspection authority.

1. Before proceeding, turn off power to the circuit to which the oven will be connected at the circuit breaker or fuse box.
2. Position the oven directly in front of the cabinet cut out.
3. Feed the appliance conduit into the electrical junction box and attach it using a UL approved strain relief.
4. Depending upon local codes, utilize one of three methods to connect the appliance to the electrical power:
  - ◇ Connect to a four wire electrical system
  - ◇ Connect to a three wire electrical system, where local codes permit
  - ◇ Connect to a three wire electrical system with external ground, according to local codes.

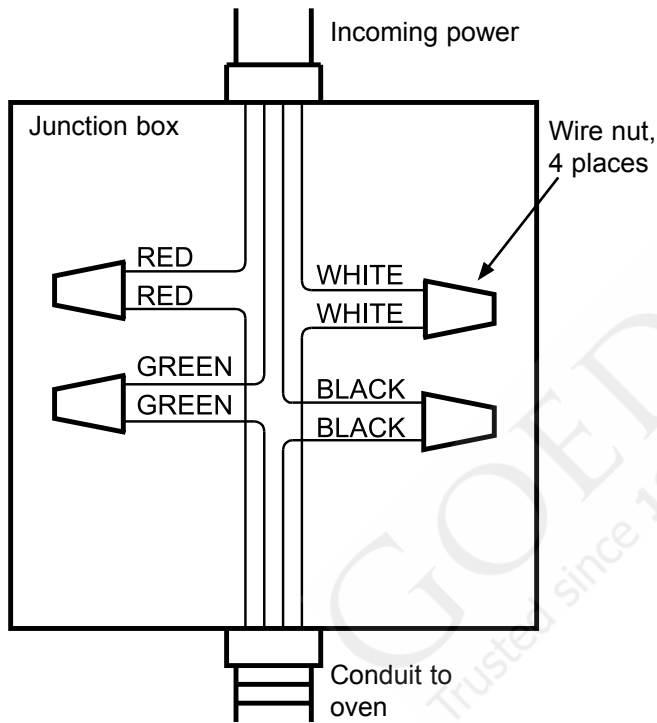
See the instructions on the following pages for detailed directions.

# Installation Instructions

## Electrical Connection - (continued)

### Connecting to a Four Wire Electrical System

1. Separate the wires coming out of the appliance conduit.
2. Connect the white wire from the appliance conduit to the white (neutral) supply wire in the junction box.
3. Connect the black wire from the appliance conduit to the black (L1) supply wire in the junction box.
4. Connect the red wire from the appliance conduit to the red (L2) supply wire in the junction box.
5. Connect the green wire from the appliance conduit to the green (ground) wire in the junction box.



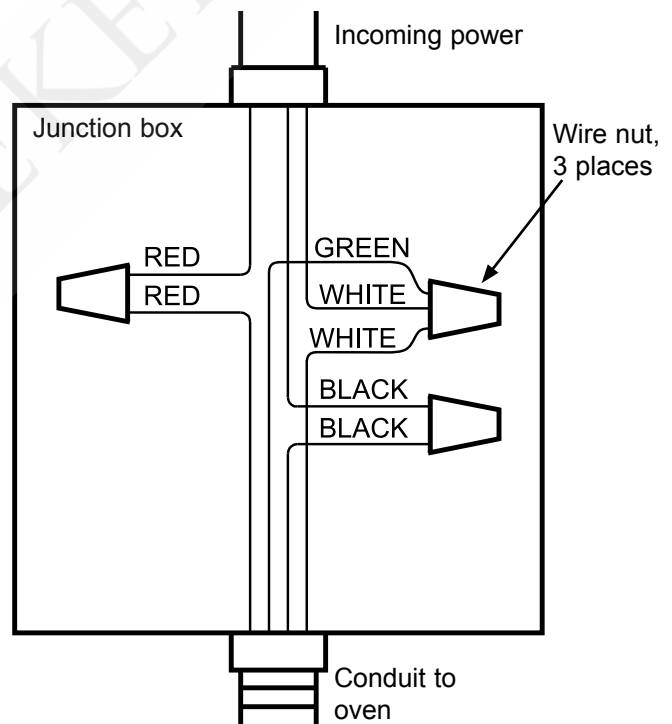
**Four Wire Connection**

### Connecting to a Three Wire Electrical System - Where Local Codes Permit

**⚠ WARNING**

Do not connect the green appliance conduit wire to the neutral (white) junction box wire unless local building codes permit.

1. Separate the wires coming out of the appliance conduit.
2. Connect the green and white wires from the appliance conduit to the white (neutral) supply wire in the junction box.
3. Connect the black wire from the appliance conduit to the black (L1) supply wire in the junction box.
4. Connect the red wire from the appliance conduit to the red (L2) supply wire in the junction box.



**Three Wire Connection**

# Installation Instructions

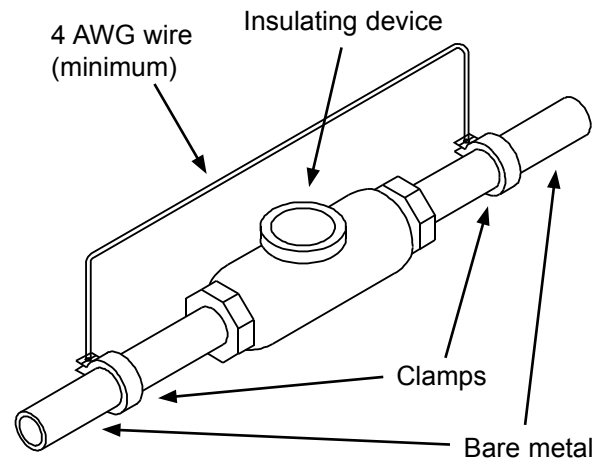
## Connecting to a Three Wire Electrical System with External Ground - Where Local Codes Permit

### WARNING

- Do not ground the appliance to a gas supply pipe or hot water pipe.
- If connecting the ground wire to a grounded cold water pipe, connect using a separate copper grounding wire (No. 10 minimum) and a clamp with an external grounding screw. The grounded cold water pipe must have metal continuity to electrical ground and must not be interrupted by insulating materials. Any insulating materials must be jumped, with a minimum, 4 AWG wire to establish continuity to ground.

### NOTE

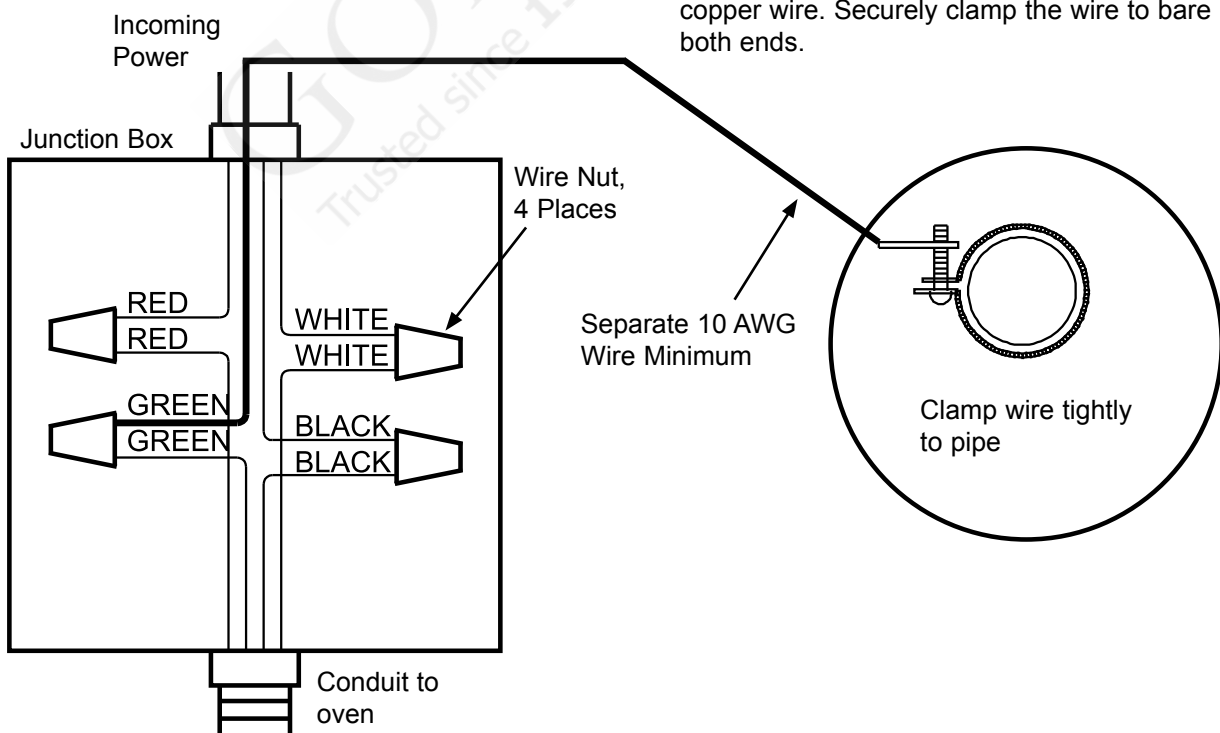
If the junction box has been properly grounded by a licensed electrician, the green (ground) wire from the appliance conduit may be connected to the junction box using a loop terminal.



**Insulated Pipe Jumper**

### To connect the green appliance conduit wire to a grounded cold water pipe:

1. Separate the wires coming out of the appliance conduit.
2. Connect the white wire from the appliance conduit to the white (neutral) supply wire in the junction box.
3. Connect the black wire from the appliance conduit to the black (L1) supply wire in the junction box.
4. Connect the red wire from the appliance conduit to the red (L2) supply wire in the junction box.
5. Connect the green wire from the appliance conduit to a grounded cold water pipe as shown. Jumper any insulating materials as shown above with a length of No. 4 copper wire. Securely clamp the wire to bare metal at both ends.



**Three Wire Connection with External Ground**

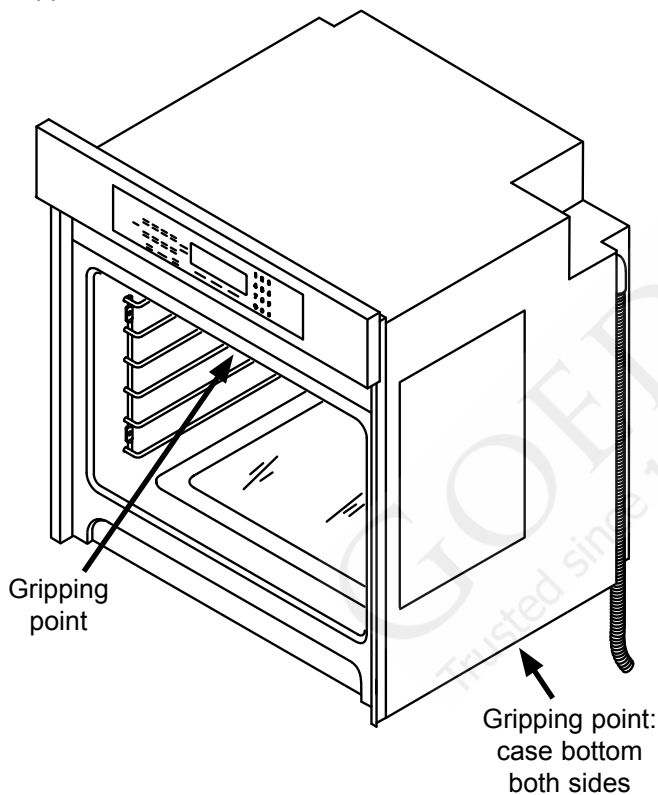
# Installation Instructions

## Installing the Oven in the Cabinet

### WARNING

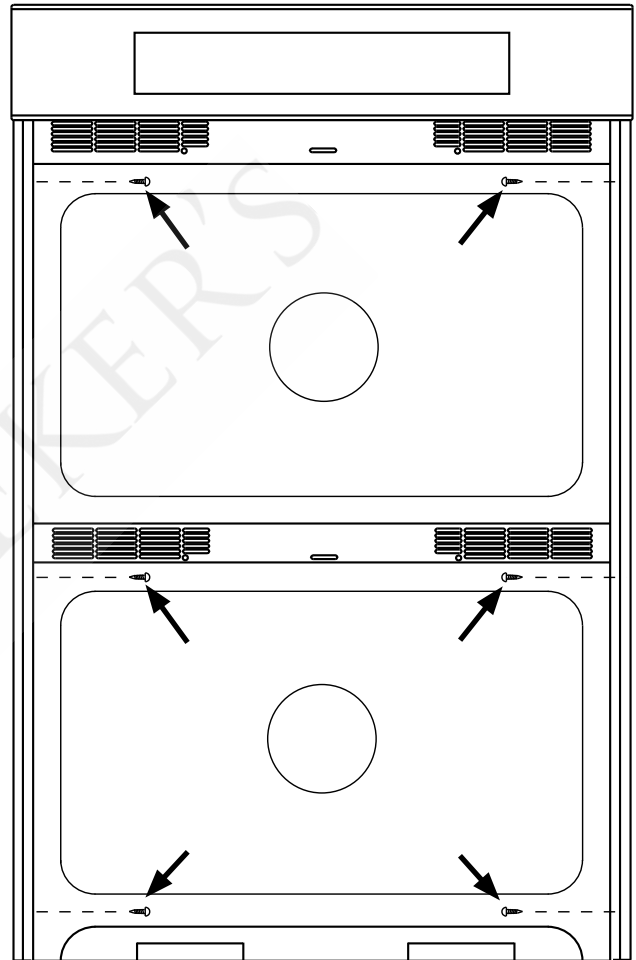
- Failure to properly install the mounting screws may result in movement or tipping of the oven during use resulting in personal injury.
- Do not block the oven air exhaust located at the bottom of the oven. Blocking the intake may result in a fire hazard, cabinet damage or poor performance.
- The wall oven is heavy. Do not attempt to install it in the cabinet with less than two people.

1. Lift the wall oven up to the cabinet cut out, using the upper edge of the cavity opening and the bottom of the oven case side as gripping points. Be certain to take all necessary safety precautions due to the weight of the appliance.



2. Resting the oven on the cabinet-mounting platform, slide the oven into the recessed area until the rear edge of the oven frame is flush with the cabinet face and the oven is centered within the cut out. Ensure that the electrical conduit slides through the opening in the cabinet platform or coils above the oven chassis as the oven is slid into place. The cable must be placed into the recessed area located along the rear vertical edge of the oven or coiled above the oven chassis. Do not trap the appliance cable between the oven case back and the rear wall.

3. Locate the mounting holes in the trim on both sides of the oven. There are four (4) holes, two (2) on each side, for single oven models and six (6) holes for double oven models.
4. Use a 1/16" drill bit to drill pilot holes in the cabinet through all of the trim mounting holes.
5. Install all of the provided #6 screws through the oven trim into the cabinet to secure the oven. Do not over-tighten the screws.



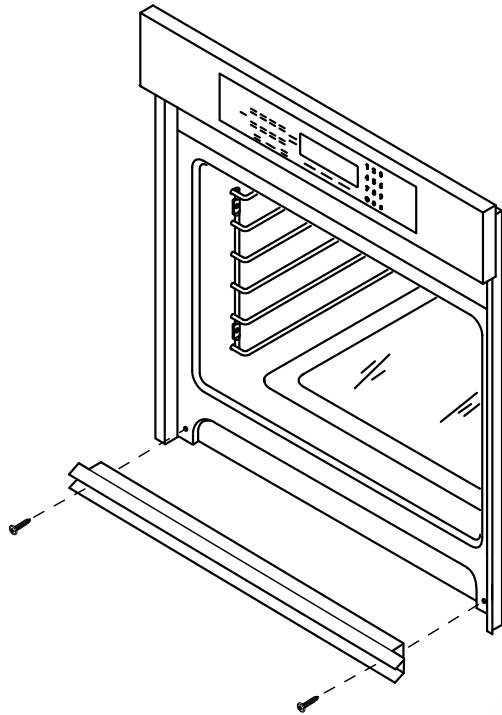
### Mounting Screws:

Four (4) for single oven  
Six (6) for double oven

# Installation Instructions

## Installing the Exhaust Grill

With the oven secured to the cabinet, install the exhaust grill by mounting it to the oven with the two (2) provided screws.



## Reinstalling the Oven Doors

### **WARNING**

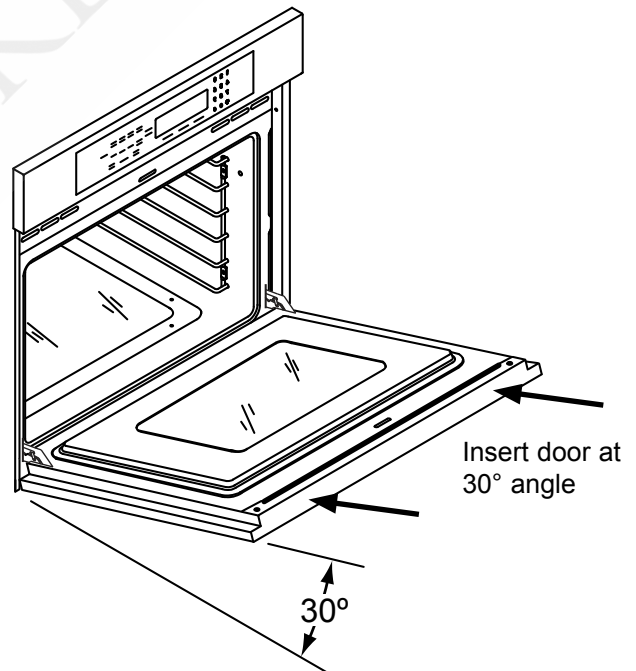
Failure to fully rotate the hinge catches will result in a safety hazard and may cause personal injury due to the door falling off its hinges. Also damage to the oven and/or improper door alignment may occur.

### **CAUTION**

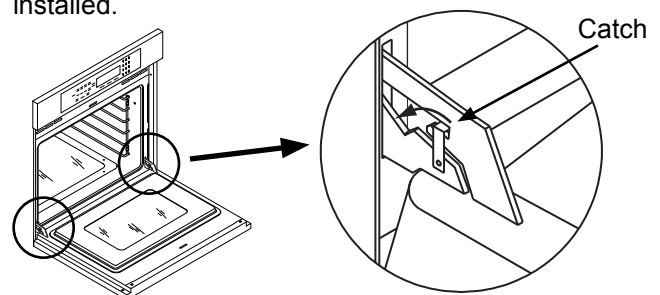
On double ovens, install the top door first to reduce the chance of damaging the lower door during installation.

**NOTE: To re-install the oven door on model EORS136, see page 14.**

1. Grasp the oven door on opposite sides and lift it until the door hinges are aligned with the openings in the oven frame.
2. Holding the door at about a 30° angle from the horizontal, slide the hinges into the openings until the bottom hinge arms drop fully into the hinge receptacles.



3. Lower the door to the fully opened position. Rotate both hinge catches toward the oven. Open and close the door slowly and completely to ensure that it is properly installed.



# Installation Instructions

## Reinstalling the Oven Door (Cont)

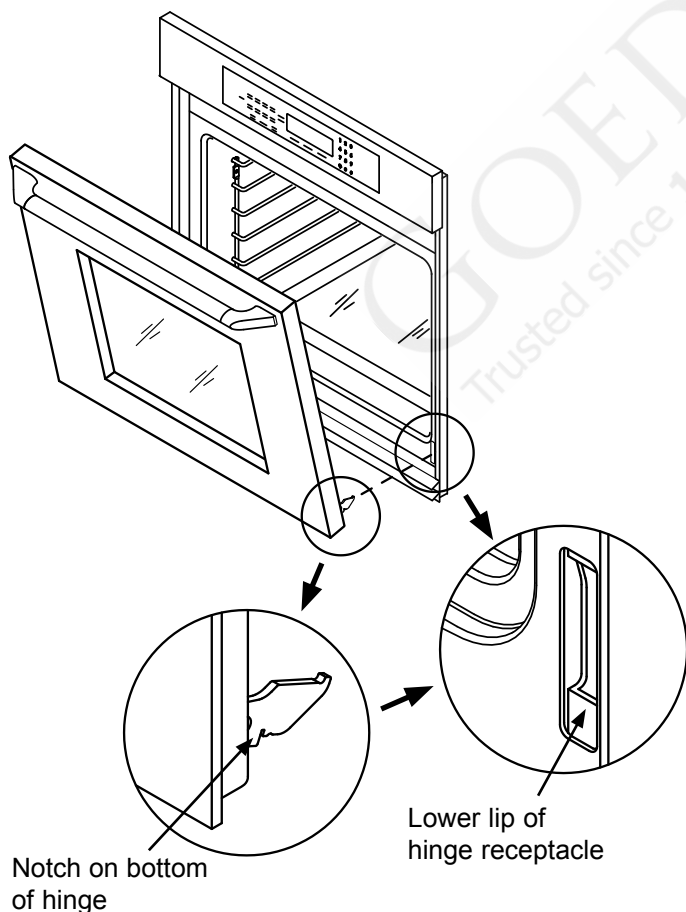
To re-install the oven door on model EORS136:

### **WARNING**

To avoid personal injury or damage to the door from it falling off its hinges:

- Make sure that the notch on the bottom of each hinge rests on top of the lower lip of each hinge receptacle before attempting to open the oven door.
- Rotate the hinge locks toward the front of the range immediately after installation of the door.

1. Grasp the oven door on opposite sides and hold it at a 15° angle from the front of the oven. Slide the hinges into the hinge openings, resting the bottom of the hinge arms on the hinge receptacles. Continue to hold the door at a 15° angle with one hand while pushing in on each of the bottom corners of the door. Push until the notch on the bottom of each hinge slips over the lower lip of each hinge receptacle.
2. Lower the door to the fully opened position.
3. Rotate the two hinge locks toward the oven.
4. Slowly and carefully open and close the door completely to ensure that it is properly installed.



## Verifying Proper Operation

1. For stainless steel ovens, peel off the protective layer of plastic that covers the stainless steel surfaces.
2. Remove any packaging from inside the oven(s).
3. Slide the oven racks onto the supports inside the oven chamber(s) according to the use and care manual.
4. Turn on power to the oven at the circuit breaker or fuse box.
5. Set the clock according to the use and care manual.

### **NOTE**

For double ovens, test oven operation for both the upper and lower ovens.

6. Press the **BAKE** key on the control panel. The default bake temperature should appear on the display.
7. Press **START**. After approximately three (3) minutes, the lower heating element should glow red through the glass.
8. Press **CANCEL/SECURE**.
9. Press the **BROIL** key on the control panel. The default broil temperature should appear on the display.
10. Press **START**. After approximately three (3) minutes, the upper heating element should glow red. On some ovens the element is behind the glass panel on the ceiling of the oven.
11. If the oven does not operate properly, follow these troubleshooting steps:
  - Verify that power is being supplied to the oven.
  - If power is being properly supplied, turn off power at the circuit breaker or fuse box and check the electrical connections.
  - Turn on power and repeat the above heating test.
  - If the appliance still does not work, contact an authorized Dacor service company. If you are unable to locate a service representative, please contact the Dacor Customer Service Team at (800) 793-0093, or visit us on the web at [www.Dacor.com](http://www.Dacor.com).
  - Do not attempt to repair the appliance yourself. If you need service, be sure to have the model and serial numbers available when you call. See page 3.



# Installation Instructions

## Installation Checklist



### WARNING

To ensure proper installation, the installer must complete the checklist below to make sure that no part of the installation has been overlooked.

- Is the oven mount on a level platform?
- Is the oven wired and grounded according to these instructions and in accordance with all applicable electrical codes? (See Pages 4 and 9-11.)
- Is the oven secured into the cabinet with all the mounting screws [four (4) on single oven models, six (6) on double ovens.] See Page 12.
- Is/are the oven door(s) properly installed according to these instructions. (See page 13.)
- Has proper operation been verified?
- Has the warranty been activated on-line or the warranty card been filled out completely and mailed?

GOEDEKER'S  
Trusted since 1951

GOEDEKER'S  
Trusted since 1951



GOEDEKER'S  
Trusted since 1951

**dacor**<sup>®</sup>  
The Life of the Kitchen.<sup>®</sup>